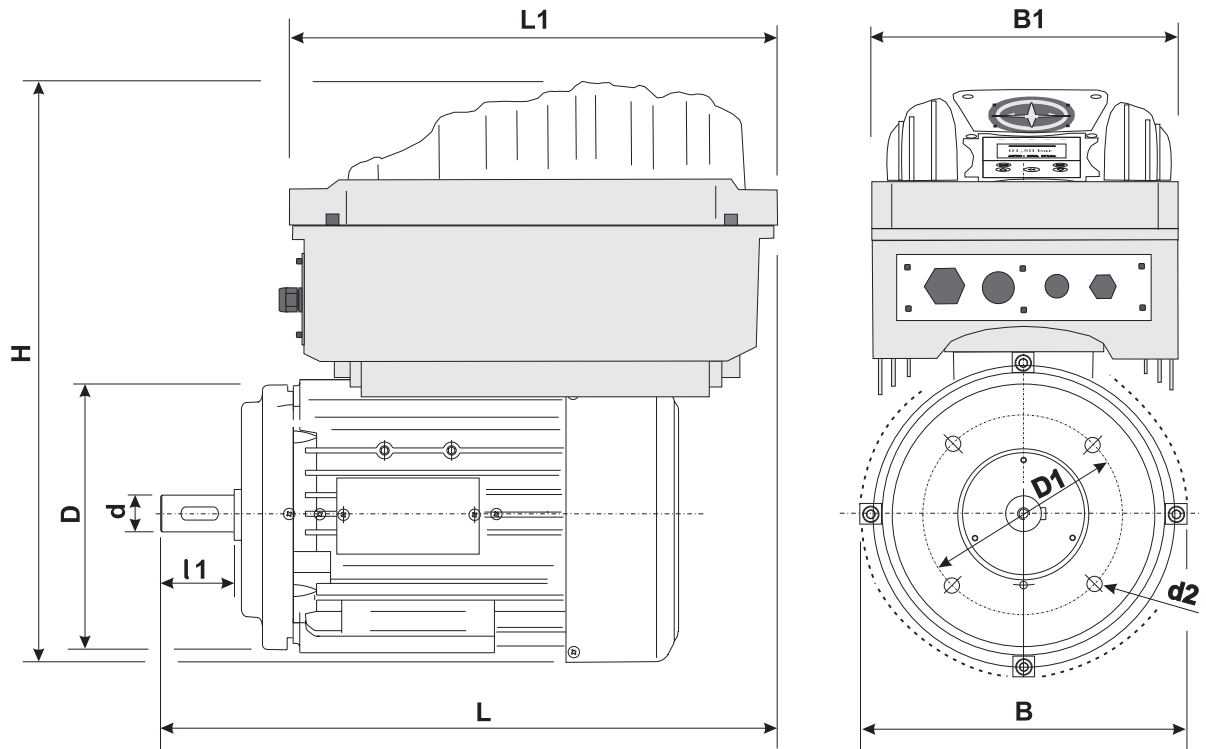


Dimensions for system controller MARI with IE3 motor

Version MARI-IE4 size 1: 0,75-4,0 kW with IE3 motor:
 Example B14, for vertical construction



Single controller, MARI-IE4 controller,
 Terminals for the linking of two controllers.

power connection : 1 Phase 230V 50/60Hz, 3 Phase 230V 50/60Hz,
 3 Phase 400V 50/60Hz,

MARI size 1 1 pump (frequency inverter version)

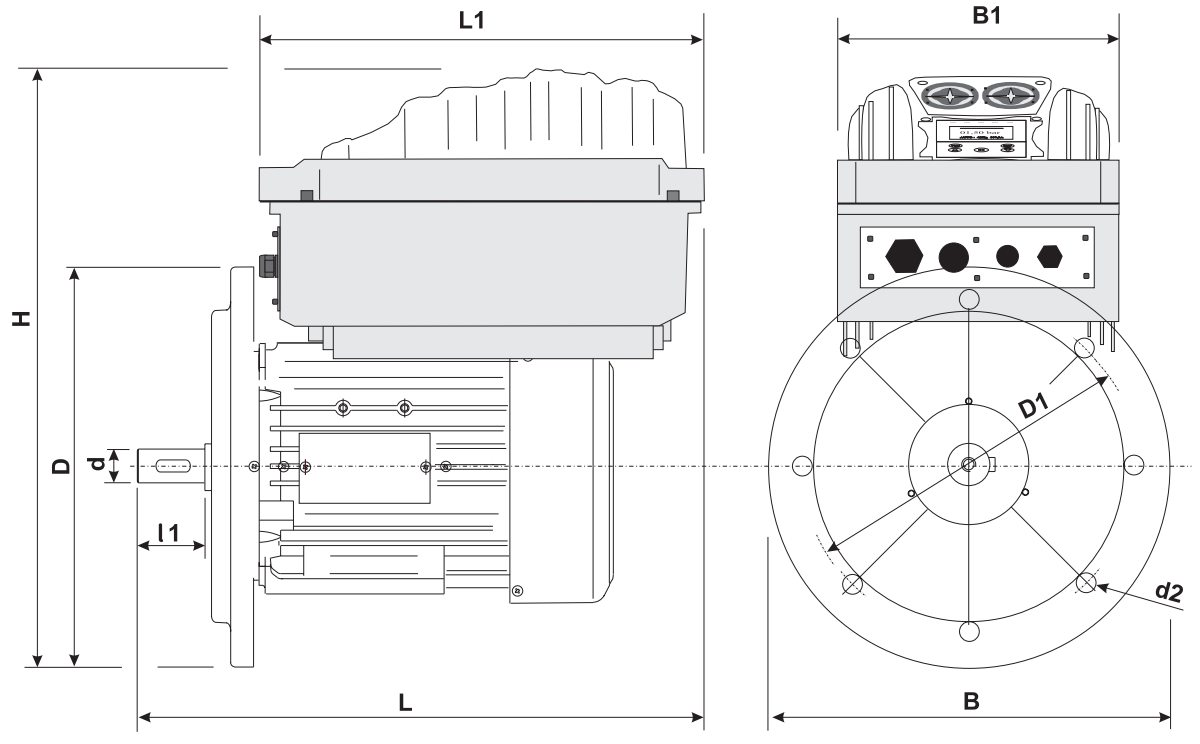
Type MARI 1 Pump	H (mm)	L (mm)	L1 (mm)	B (mm)	B1 (mm)	D (mm)	D1 (mm)	d (mm)	weight with Motor
MARI-007	328	337	270	170	190	133	100	19	12,3 kg
MARI-011	328	337	270	170	190	133	100	19	14,0 kg
MARI-015	347	351	270	185	190	140	115	24	17,3 kg
MARI-022	347	351	270	185	190	140	115	24	19,9 kg
MARI-030	369	376	270	210	190	160	130	28	26,9 kg
MARI-040	415	433	270	225	190	185	130	28	35,2 kg



Version MARI Gr.2: 5,5 - 7,5kW with IE4 motor:
Example B5, for vertical construction

Single controller, MARI-IE4 controller,
Terminals for the linking of two controllers.

power connection: 3 Phase 400V 50/60Hz,



MARI size 2 1 pump (frequency inverter version)

Type MARI 1 Pump	H (mm)	L (mm)	L1 (mm)	B (mm)	B1 (mm)	D (mm)	D1 (mm)	d (mm)	weight with Motor
MARI-055	455	462	335	300	225	295	265	38	50,0 kg
MAR-075	476	462	337	300	225	295	265	38	58,6 kg
MARI-110	x	x	337	300	225	x	x	x	xx,x kg

