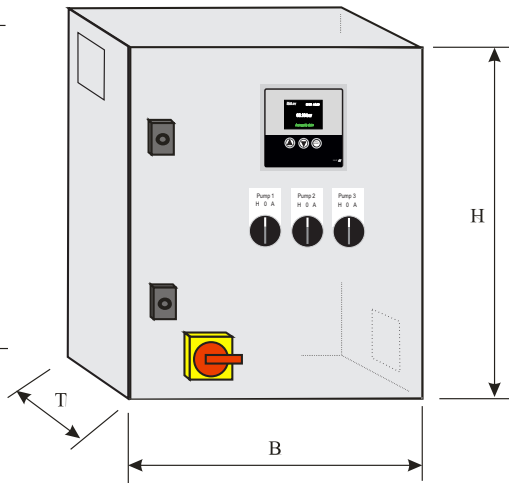
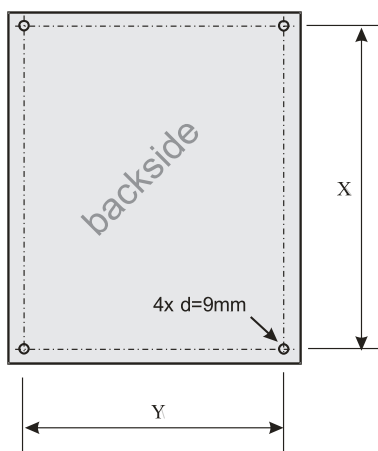
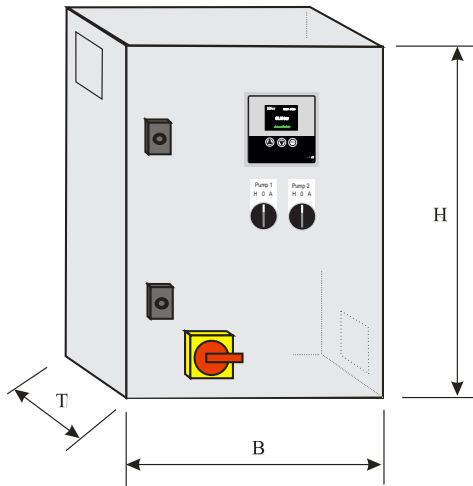
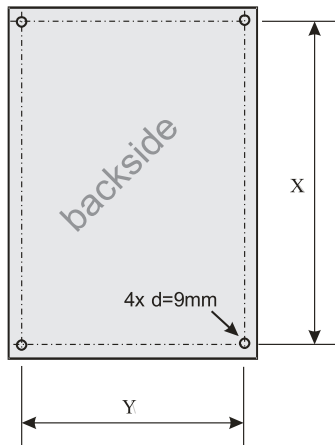
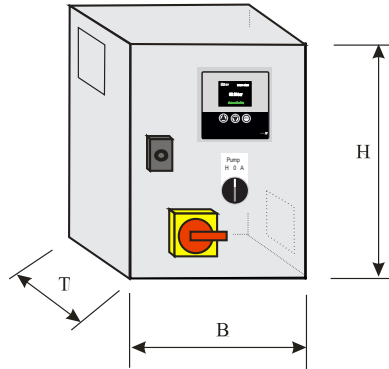
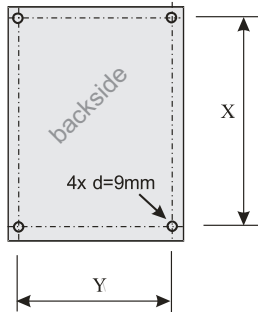


# Maße für Pumpenregler MAR V.3 mit Frontschalter und Sicherungen

MAR Version V.3 2024 with TFT - Display

Wall Cabinet IP 54:



**MAR 1-3 pumps controller, connection: 1x 230V / 1PH + N, output 3x 230V / 3PH**

Type MAR 230V	H(mm)	B(mm)	T(mm)	X(mm)	Y(mm)	Cooling	Weight
MAR-004E-1	400	300	260	360	260	passive	30 kg
MAR-007E-1	400	300	260	360	260	passive	30 kg
MAR-015E-1	400	300	260	360	260	passive	30 kg
MAR-022E-1	400	300	260	360	260	passive	32 kg
MAR-007E-2	600	400	260	560	360	passive	60 kg
MAR-015E-2	600	400	260	560	360	passive	62 kg
MAR-022E-2	600	400	260	560	360	passive	65 kg
MAR-007E-3	600	500	260	560	460	passive	70 kg
MAR-015E-3	600	500	260	560	460	passive	75 kg
MAR-022E-3	600	500	260	560	460	active	80 kg

**MAR 1-3 pumps controller, connection: 1x 400V / 1PH + N, output 3x 400V / 3PH**

Type MAR 400V	H(mm)	B(mm)	T(mm)	X(mm)	Y(mm)	Cooling	Weight
MAR-004-1	400	300	260	360	260	passive	30 kg
MAR-007-1	400	300	260	360	260	passive	30 kg
MAR-015-1	400	300	260	360	260	passive	30 kg
MAR-022-1	400	300	260	360	260	passive	32 kg
MAR-030-1	400	300	260	360	260	passive	32 kg
MAR-040-1	400	300	260	360	260	passive	33 kg
MAR-055-1	400	300	260	360	260	passive	34 kg
MAR-007-2	600	400	260	560	360	passive	60 kg
MAR-015-2	600	400	260	560	360	passive	62 kg
MAR-022-2	600	400	260	560	360	passive	65 kg
MAR-030-2	600	400	260	560	460	active	67 kg
MAR-040-2	600	400	260	560	460	active	68 kg
MAR-055-2	600	400	260	560	460	active	69 kg
MAR-007-3	600	500	260	560	460	passive	70 kg
MAR-015-3	600	500	260	560	460	passive	75 kg
MAR-022-3	600	500	260	560	460	active	80 kg
MAR-030-3	600	500	260	560	460	active	82 kg
MAR-040-3	600	500	260	560	460	active	83 kg
MAR-055-3	600	500	260	560	460	active	85 kg